



J. LANFRANCO

LOCKNUTS FOR CRITICAL BOLTED JOINTS

A COMPLETE SOLUTION:
STRUCTURE AND INTERNAL

QUICK ASSEMBLY FOR ALL INTERIORS,
WINDOWS, DOOR, ETC.



TOLL FREE: 1-855-694-3250



INFO@JLANFRANCO.COM



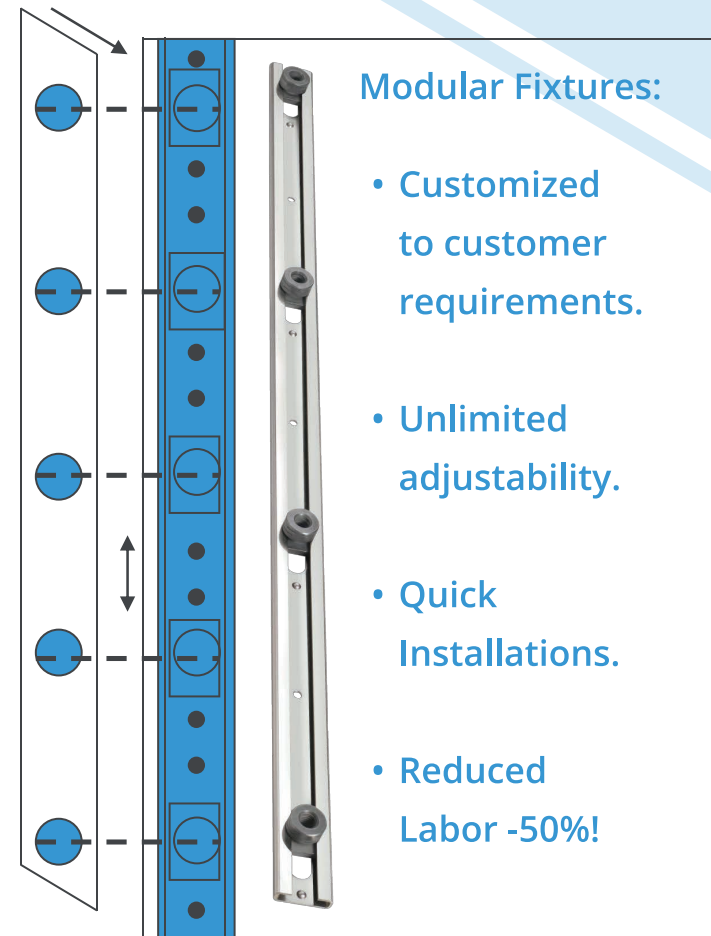
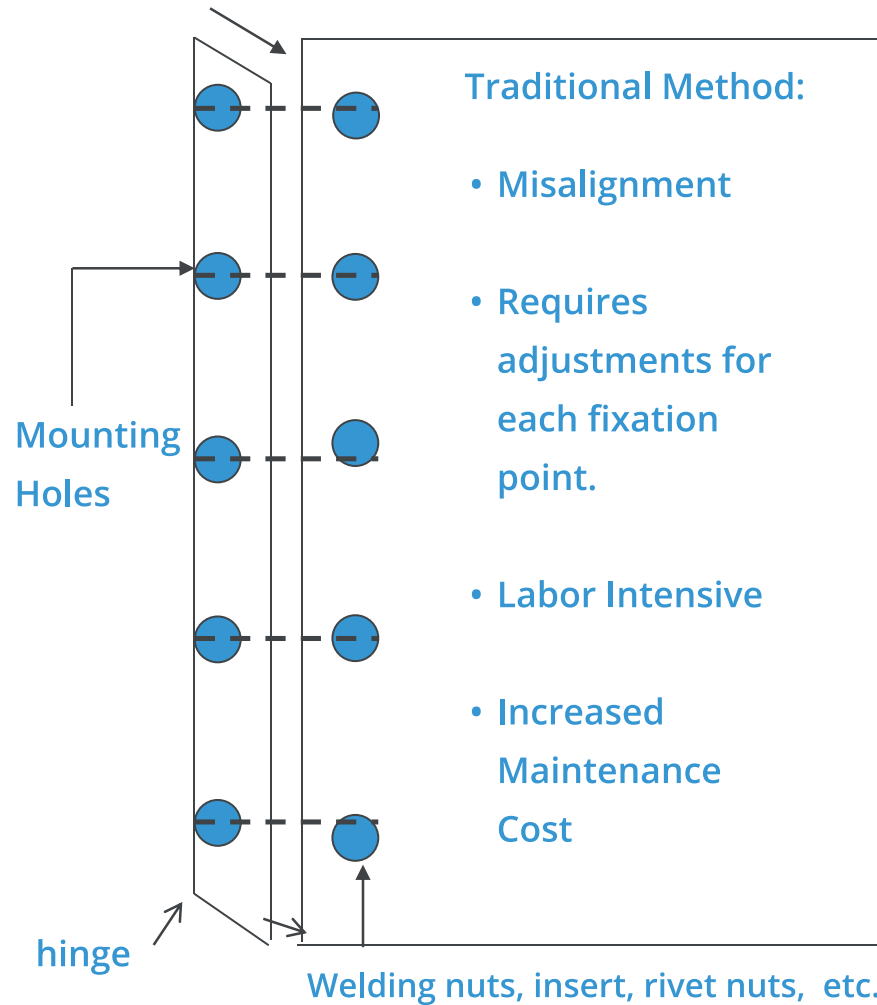
JLANFRANCO.COM



J. LANFRANCO

LOCKNUTS FOR CRITICAL BOLTED JOINTS

A COMPLETE SOLUTION: STRUCTURE AND INTERNAL

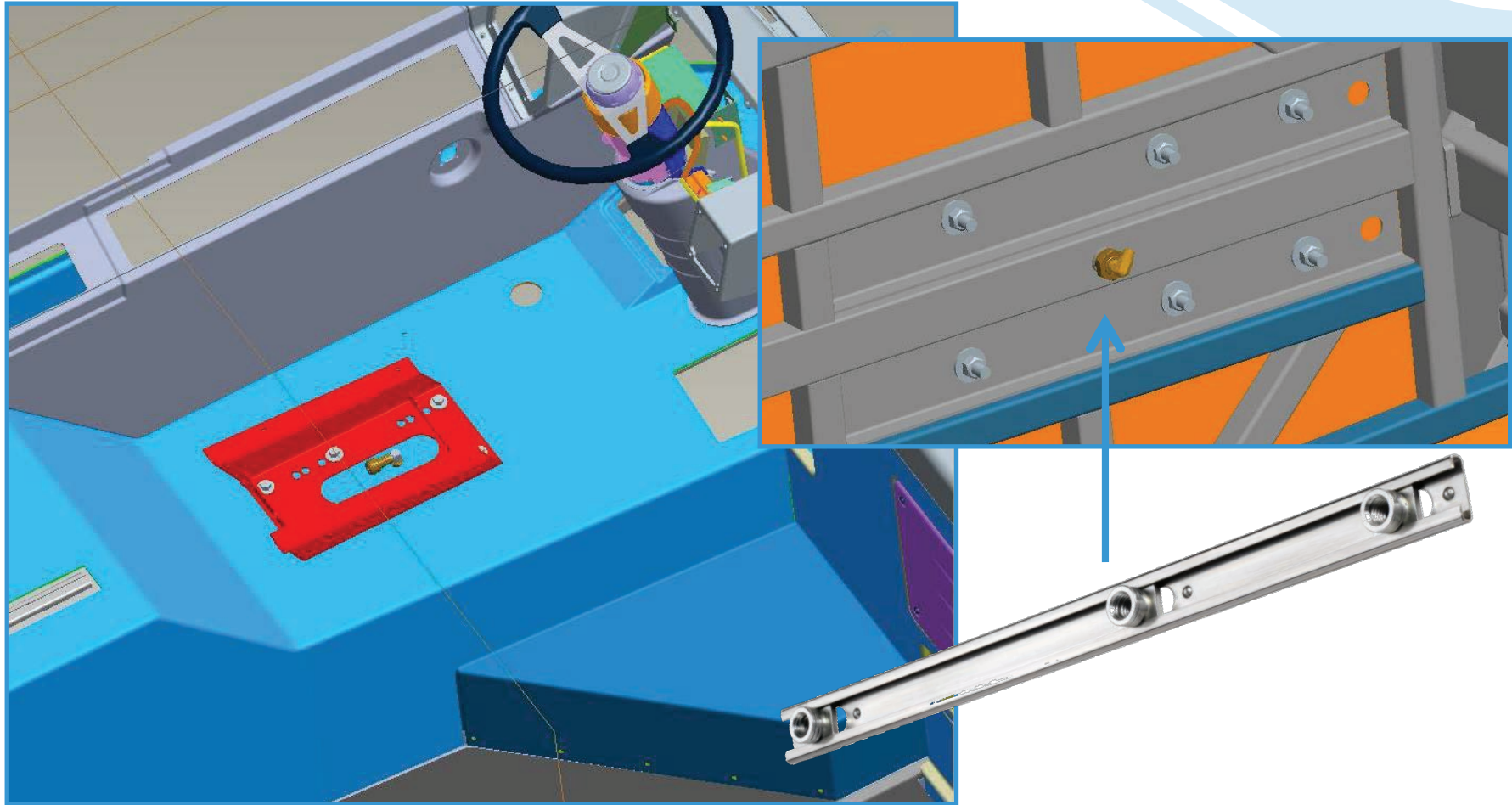




J. LANFRANCO

LOCKNUTS FOR CRITICAL BOLTED JOINTS

A COMPLETE SOLUTION:
STRUCTURE AND INTERNAL



TOLL FREE: 1-855-694-3250



INFO@JLANFRANCO.COM



JLANFRANCO.COM



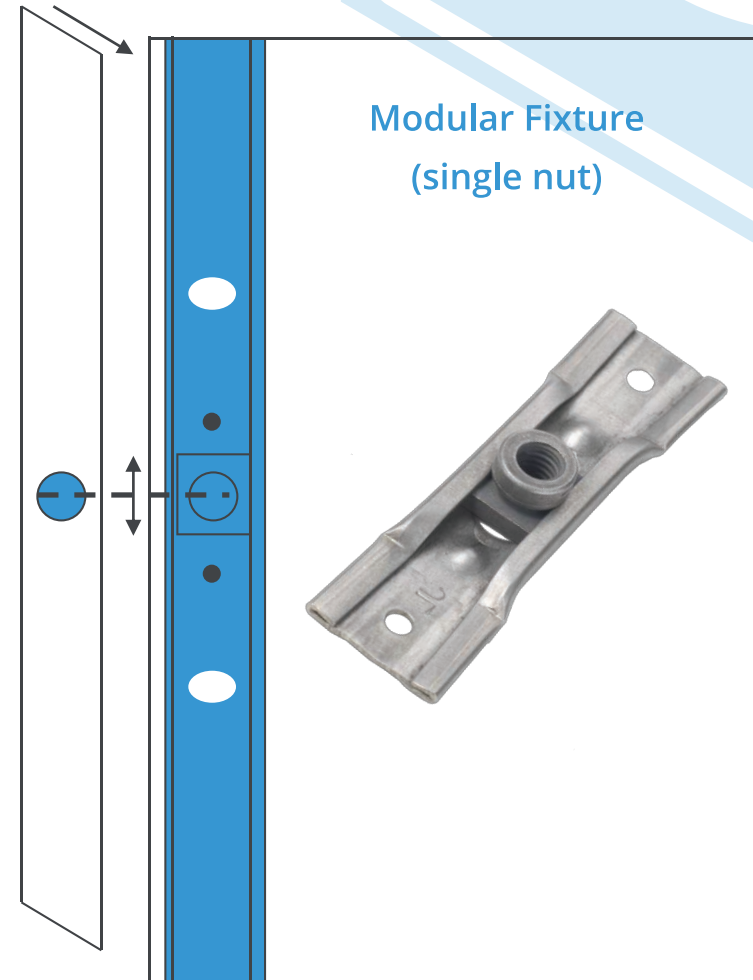
J. LANFRANCO

LOCKNUTS FOR CRITICAL BOLTED JOINTS

A COMPLETE SOLUTION:
STRUCTURE AND INTERNAL



Can be fixed directly on the framing with screws, rivets, welding or for composite materials, they can be draped.

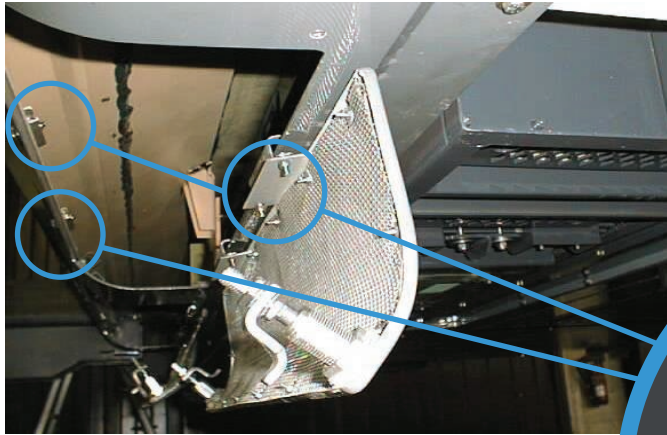




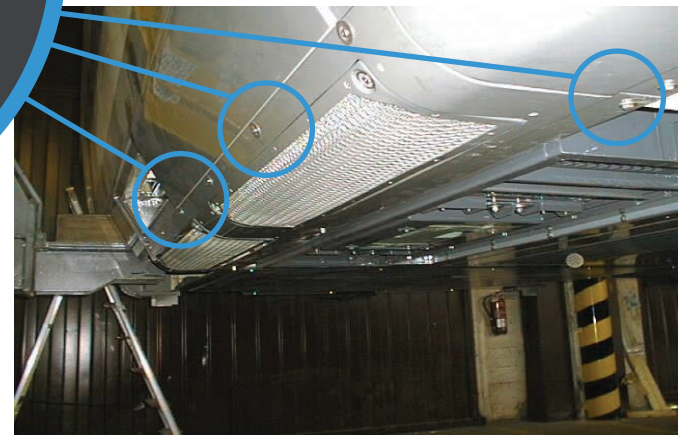
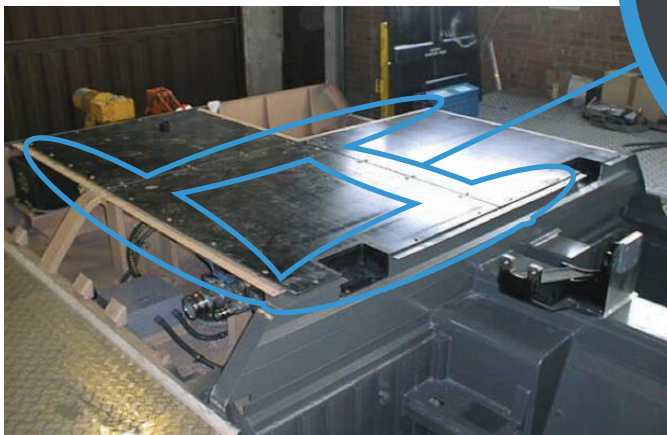
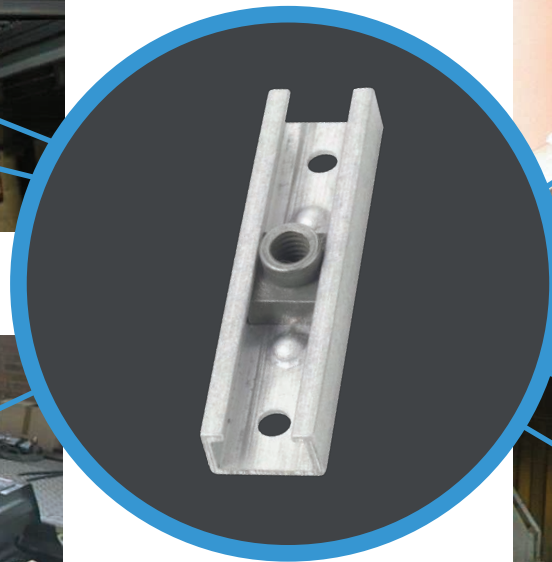
J. LANFRANCO

LOCKNUTS FOR CRITICAL BOLTED JOINTS

A COMPLETE SOLUTION:
STRUCTURE AND INTERNAL



LIGHT ALLOY



TOLL FREE: 1-855-694-3250



INFO@JLANFRANCO.COM



JLANFRANCO.COM

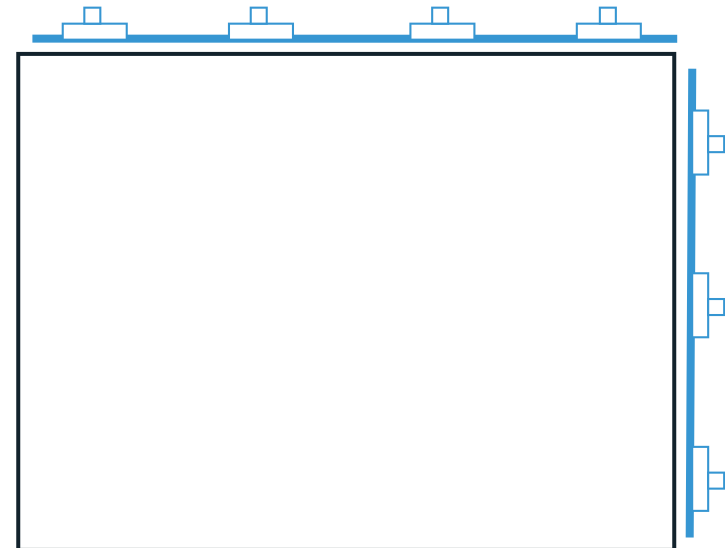
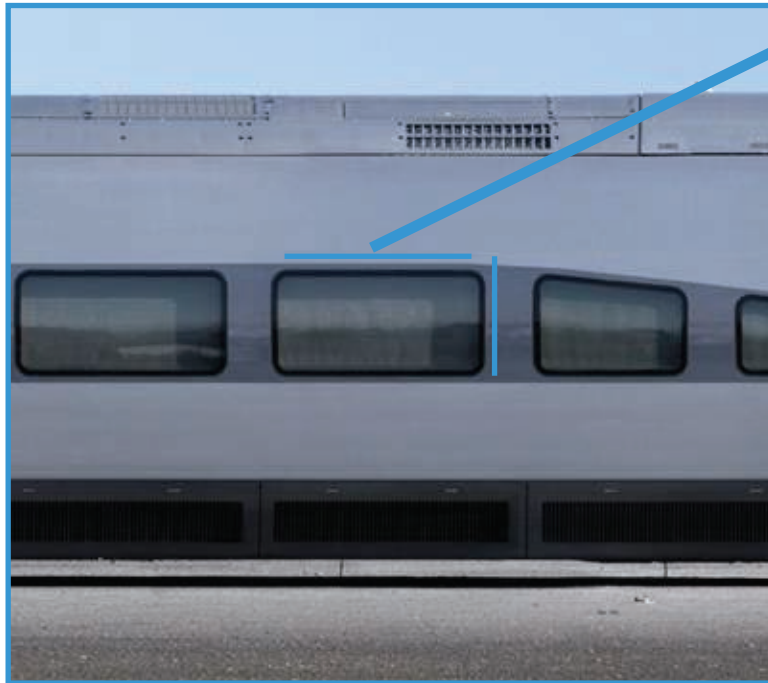


J. LANFRANCO

LOCKNUTS FOR CRITICAL BOLTED JOINTS

A COMPLETE SOLUTION:
STRUCTURE AND INTERNAL

FIXING OF PANELS AND INTERNAL
COMPONENTS OF THE WINDOWS



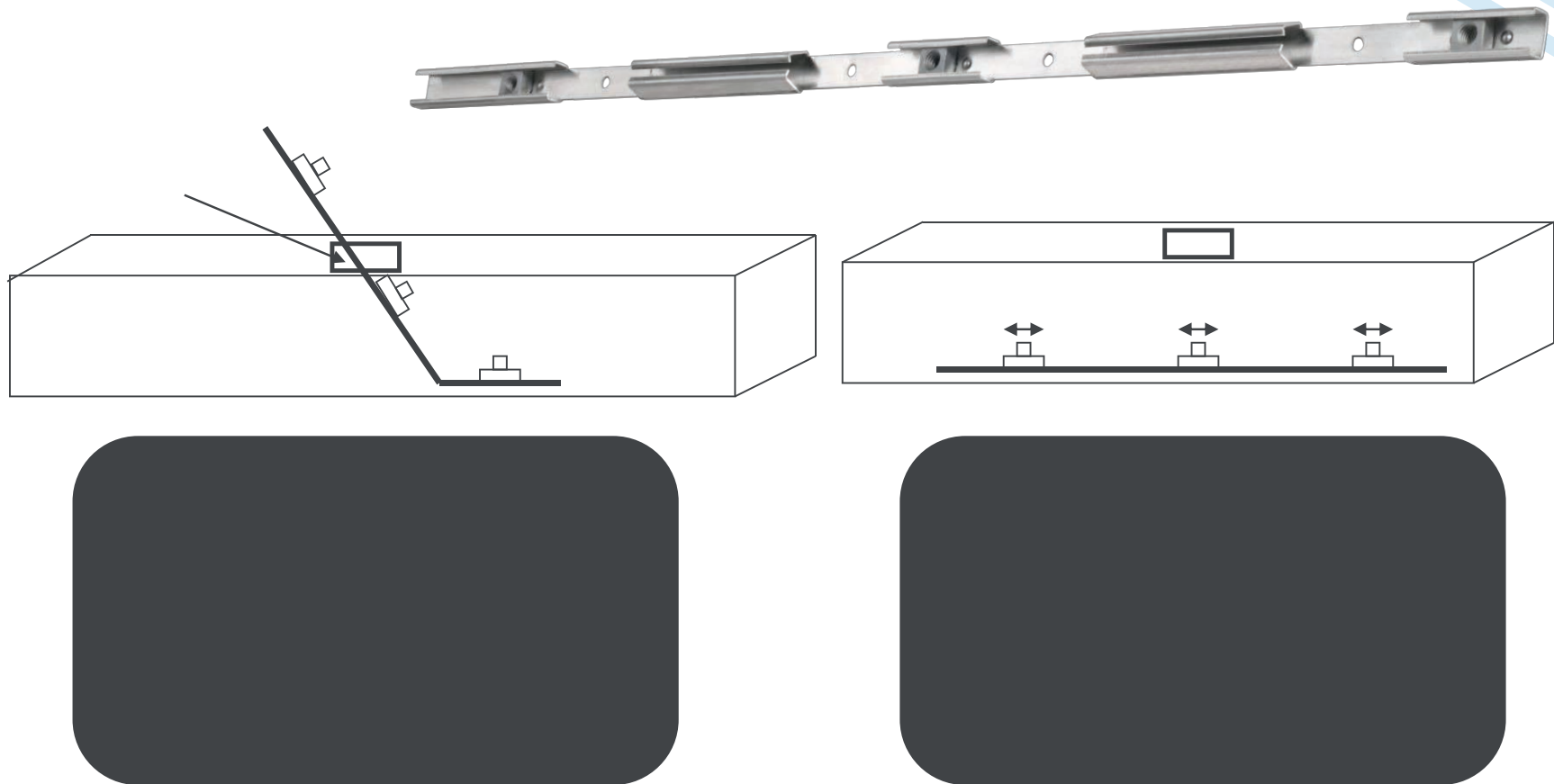


J. LANFRANCO

LOCKNUTS FOR CRITICAL BOLTED JOINTS

A COMPLETE SOLUTION: STRUCTURE AND INTERNAL

The soft aluminum modular fixture permits passage through holes of aluminum structural framing of high-speed trains. Quick assembly of a windows and reduced labor for primary build and maintenance.



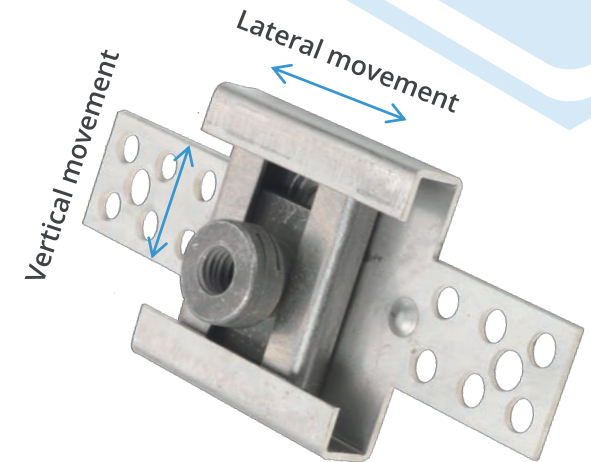
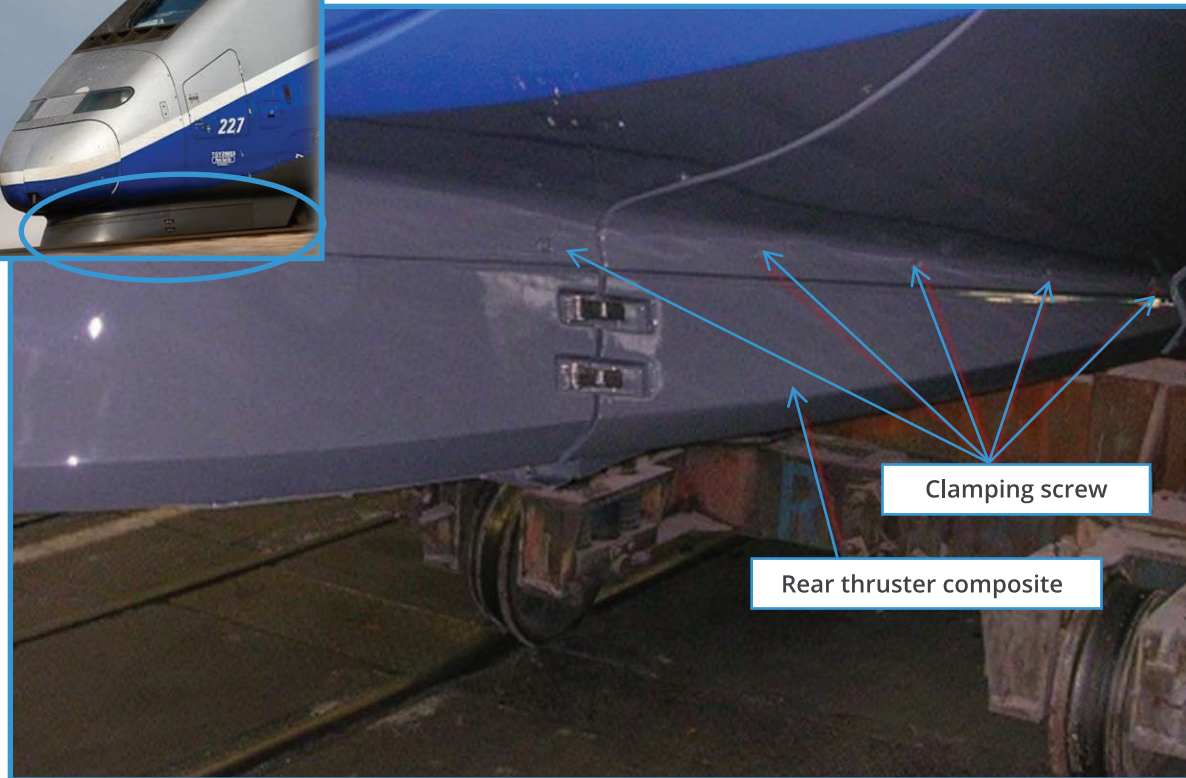


J. LANFRANCO

LOCKNUTS FOR CRITICAL BOLTED JOINTS

A COMPLETE SOLUTION:
STRUCTURE AND INTERNAL

MULTI-DIRECTIONAL MODULAR FIXTURE (COMPOSITES)



- Increased Tolerances / Adjustability
- No More Drill & Tap!
- Preserve Expensive Composite Pieces
- Labor Reduction of -75%

