

Definition: all metal reusable dual slotted self-locking hexagon with captive free spinning washer

Threading: standard to ISO 965-2

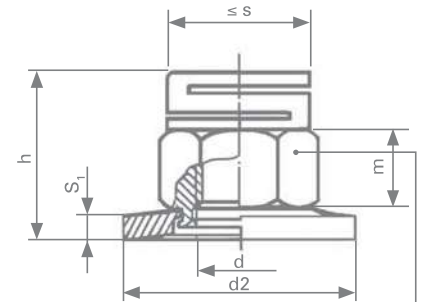
Characteristic and performance test: for steel ISO 898-2 / ISO 2320

for stainless steel ISO 3506-2 / NF E 25035

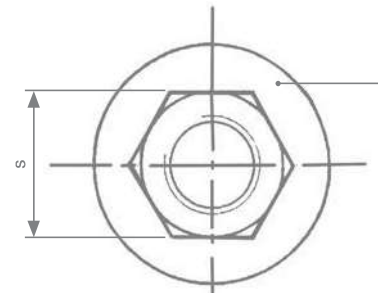


d	pitch	s	h max	m max	d ₂ *	s ₁ nominal
M 4	0,70	7,00	7,30	2,70	12,00	1,10
M 5	0,80	8,00	8,50	3,20	14,00	1,30
M 6	1,00	10,00	10,10	4,60	18,00	1,40
M 8	1,25	13,00	11,80	4,90	22,00	1,60
M 10	1,50	16,00	14,80	6,30	22,00 / 27,00	1,80
M 12	1,75	18,00	16,50	7,40	27,00	1,80
M 14	2,00	21,00	19,30	8,60	30,00	2,40
M 16	2,00	24,00	22,10	9,70	40,00	3,20
M 18	2,50	27,00	24,10	11,20	40,00	3,20
M 20	2,50	30,00	26,20	12,20	40,00	3,20
M 22	2,50	32,00	26,90	12,70	50,00	3,50

* Different type and diameter of washers can be supplied on request



Marking of the class of the material and manufacturer's initials standard to the ISO 898-2



Quality class	Classification	Range of application
Class 8 steel / Grade 5	QV	Self color -50° C +300° C ⁽¹⁾
Class 10 steel / Grade 8	QK	
Stainless steel A2-70	ZE	Corrosive atmosphere -200° C +400° C ⁽¹⁾
Stainless steel A4-80	ZH	

Others: Brass - Bronze - Light alloy - Titanium...⁽¹⁾ Values are only given as indication

Surface treatment (standard to ROHS requirements)

Electroplated Zinc (steel)	Yellow	ZJ	ISO 4042
	Clear Lanthane ®	ZL	400 h
	Clear Lanthane ® + Topcoat	ZF	600 h
Zinc Flake (steel)	Geomet ®, Delta Protekt ®, Magni ®		600 / 1000h
Antigalling (stainless steel)	Stanal ® 400	ST	
	Sherardisation (NF EN 13811)	SH	
Plain Finish	Light Protective Oil	BT	

Example of ordering code

	Type	Diam X pitch	Class	Protection	
classification	ERM	100150	ZH	ST	01
wording	ERM	M10 X 1,50	A4 80	Stanal ®	*

*Standard size

On request: other materials, plating, sizes, imperial thread