

# THU

## HFR NUT

## STANDARD TYPE

**Definition:** all metal reusable dual slotted self-locking industrial hexagon nut

**Threading:** standard to ISO 965-2

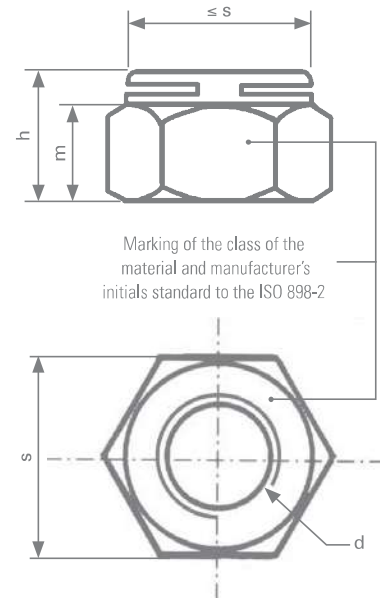
**Characteristic and performance test:** for steel ISO 898-2 / ISO 2320  
for stainless steel ISO 3506-2 / NF E 25035



d nominal	pitch	h	m	s
M 4	0,70	5,50	3,50	7,00
M 5	0,80	6,50	4,30	8,00
M 6	1,00	7,50	5,00	10,00
M 8	1,25	8,50	6,00	13,00
M 10	1,50	11,00	8,00	17,00
M 12	1,75	13,00	9,50	19,00
M 14	2,00	15,00	11,00	22,00
M 16	2,00	17,00	13,00	24,00
M 18	2,50	20,00	15,50	27,00
M 20	2,50	22,00	17,50	30,00
M 22	2,50	23,00	18,00	32,00
M 24	3,00	25,00	19,00	36,00
M 27	3,00	27,00	21,00	41,00
M 30	3,50	30,00	23,50	46,00
M 33	3,50	33,00	26,50	50,00
M 36	4,00	36,00	29,00	55,00
M 39	4,00	38,00	31,00	60,00
M 42	4,50	42,00	34,00	65,00
M 45	4,50	45,00	37,00	70,00

Quality class	Classification	Range of application
Class 8 steel / Grade 5	QV	Self color -50° C +300° C <sup>(1)</sup>
Class 10 steel / Grade 8	QK	
Class 12 steel / Grade 10	QL	
Stainless steel A2-70	ZE	Corrosive atmosphere -200° C +400° C <sup>(1)</sup>
Stainless steel A4-70	ZK	
Stainless steel A4-80	ZH	

<sup>(1)</sup> Values are only given as an indication



Surface treatment (standard to ROHS requirements)			
Electroplated Zinc (steel)	Yellow	ZJ	ISO 4042
	Clear Lanthane ®	ZL	400 h
	Clear Lanthane ® + Topcoat	ZF	600 h
Zinc Flake (steel)	Geomet ®, Delta Protekt ®, Magni ®		600 / 1000h
Antigalling (stainless steel)	Stanal ® 400	ST	
	Sherardisation (NF EN 13811)	SH	
Plain Finish	Light Protective Oil	BT	

Example of ordering code					
	Type	Diam X pitch	Class	Protection	
classification	THU	100150	ZH	ST	00
wording	THU	M10 X 1,50	A4 80	Stanal ®	*

\*Standard size

**On request:** other materials, plating, sizes, imperial thread